



LED
Lighting System

Environmentally, Economically Smart
800W LED Technology

- **LED 800W is equivalent to 1000W Metal Halide Lamp**
- **No Restrike Time, Instant start / restart**
- **3-Stage Dimming Control (800w/600w/400w)**

ALL-IN-ONE Case
Compact and Able to Pile Up

ELB080BH | 



Compact Size
Easy to Carry Around

ELB080BW | 



800W LED Technology

LED Features

Immediate Strike

Provide fullest brightness without waiting

Shock Resistant

Durable compared to normal bulb

Safe

LED holds less heat, convenient operation process

Long Life Hours

Up to 40,000 hours of operating life per bulb

Application



Maintenance



Investigation

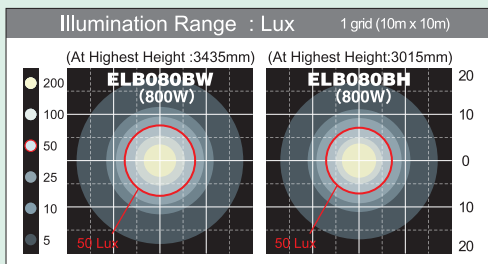


Event

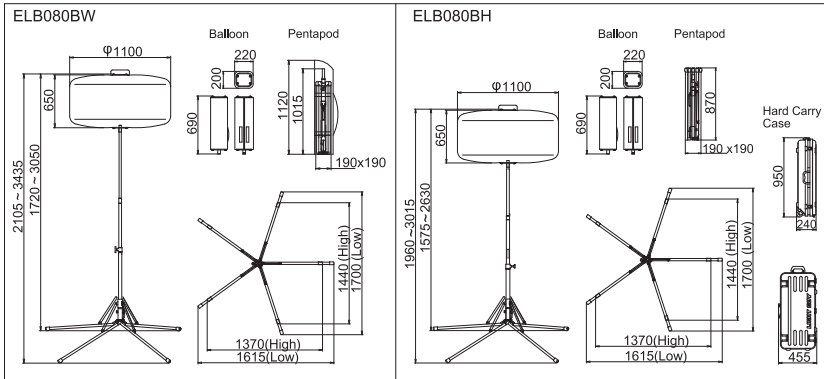


Construction Site

Brightness



Dimensions(mm)



Specification

	ELB080BW	ELB080BH
Model	ELB080BW	ELB080BH
Voltage (V)	AC 90~240	
Frequency (Hz)	50/60	
Current (A)	3.6(AC230V, 800W)	
Type	LED	
Dimming Control	3 Stage Dimming :800W/600W/400W	
Total Luminous Flux (lm)	110000(800W)/90000(600W)/67000(400W)	
Temperature (°C)	-10 ~ 40	
Mast	Telescopic System (with Air-Assisted)	
Mast Operating	Hand Operated	
1st Level (LxWxH) (mm)	1615x1700x1720~3050	1615x1700x1575~2630
2nd Level (LxWxH) (mm)	1370x1440x2105~3435	1370x1440x1960~3015
Storage (LxWxH) (mm)	Balloon	200x220x690
	Pentapod	190x190x1015
	Carry Case	220x220x1120
Weight	Balloon (kg)	11.2
	Pentapod (kg)	10.7
	Carry Case (kg)	0.7
	Total Weight (kg)	22.6
Appropriate Generator	850W and above	

Option

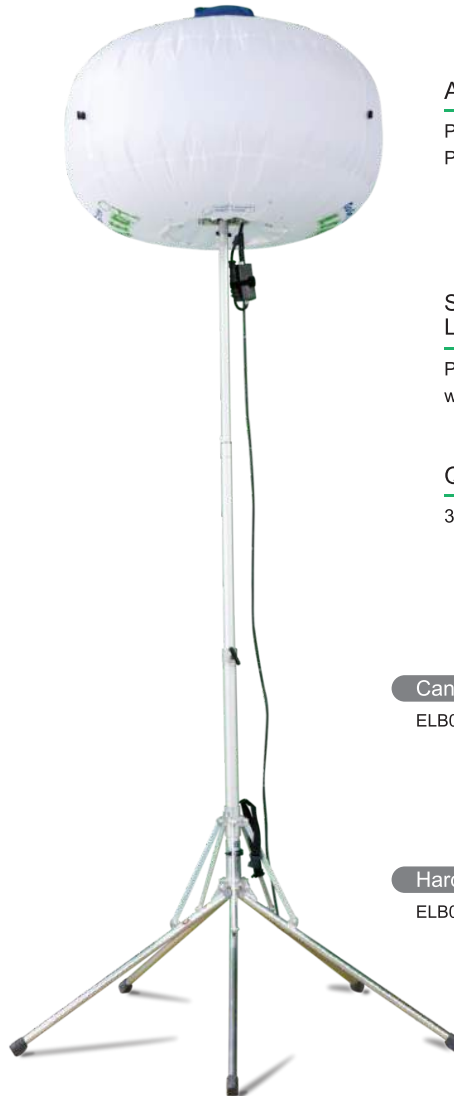
Message Strip
 Message Strips fit on both sides of the balloon.

ROAD WORK AHEAD

FLAGGER AHEAD

STOP HERE

YIELD HERE TO



Air-Assisted Mast

Prevents sudden descent
 Protects the lamps



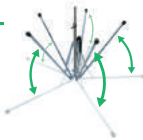
Shock Resistant LED Assembly

Protects the lamps and water proof



Quick and Easy Setup

3 min. setup/stored



Canvas Carry Case

ELB080BW



Hard Carry Case

ELB080BH



Features and equipment specifications are subject to change without notice.